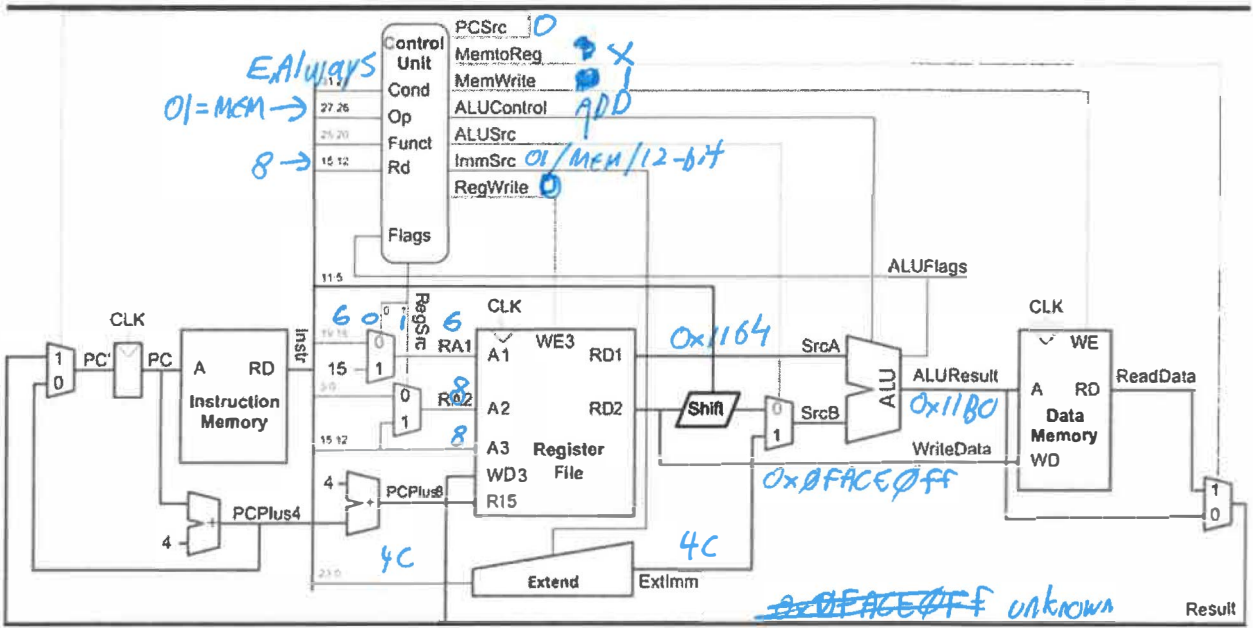


CE-1921 - Dr. Durant - Quiz 6
Spring 2018, Week 6

Given the instruction `str r8, [r6, #4C]`, that r6 contains 0x1164, and that r8 contains 0x0FACE0FF, label the single-cycle processor below taken from Figure 7.17 of your book with

- (5 points) All control signals (X if don't care; for non-MUXes use meaningful name, e.g. add, eor, etc. for ALUControl; don't forget RegSrc; active-high)
- (5 points) All relevant datapath values (e.g., if ALUFlags aren't used, you can leave them unlabeled) except PC-related values and control unit Instr inputs



$$\begin{array}{r}
 \text{ALUResult } 0x1181 \\
 + 0x4C \\
 \hline
 1180
 \end{array}$$

Can omit PCsrc, but must be right if shown

A3 is 8, but unused/X